

**TDS5000B Series
Digital Phosphor Oscilloscope
Read This First**

www.tektronix.com



061-4331-02

Tektronix

Copyright © Tektronix. All rights reserved. Licensed software products are owned by Tektronix or its subsidiaries or suppliers, and are protected by national copyright laws and international treaty provisions.

Tektronix products are covered by U.S. and foreign patents, issued and pending. Information in this publication supersedes that in all previously published material. Specifications and price change privileges reserved.

TEKTRONIX and TEK are registered trademarks of Tektronix, Inc.

Contacting Tektronix

Tektronix, Inc.
14200 SW Karl Braun Drive
P.O. Box 500
Beaverton, OR 97077
USA

For product information, sales, service, and technical support:

- In North America, call 1-800-833-9200.
- Worldwide, visit www.tektronix.com to find contacts in your area.

General Safety Summary

Review the following safety precautions to avoid injury and prevent damage to this product or any products connected to it.

To avoid potential hazards, use this product only as specified.

To Avoid Fire or Personal Injury

Use Proper Power Cord. Use only the power cord specified for this product and certified for the country of use.

Power Disconnect. The power cord disconnects the product from the power source. Do not block the power cord; it must remain accessible to the user at all times.

Ground the Product. This product is grounded through the grounding conductor of the power cord. To avoid electric shock, the grounding conductor must be connected to earth ground. Before making connections to the input or output terminals of the product, ensure that the product is properly grounded.

Do Not Operate With Suspected Failures. If you suspect that there is damage to this product, have it inspected by qualified service personnel.

Do Not Operate in Wet/Damp Conditions.

Do Not Operate in an Explosive Atmosphere.

Provide Proper Ventilation. Refer to the manual's installation instructions for details on installing the product so it has proper ventilation.

Terms in this Manual

These terms may appear in this manual:



WARNING. *Warning statements identify conditions or practices that could result in injury or loss of life.*



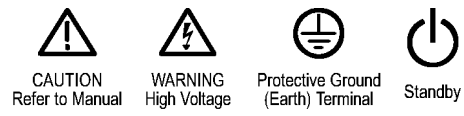
CAUTION. *Caution statements identify conditions or practices that could result in damage to this product or other property.*

Symbols and Terms on the Product

These terms may appear on the product:

- DANGER indicates an injury hazard immediately accessible as you read the marking.
- WARNING indicates an injury hazard not immediately accessible as you read the marking.
- CAUTION indicates a hazard to property including the product.

The following symbol(s) may appear on the product:



Environmental Considerations

This section provides information about the environmental impact of the product.

Product End-of-Life Handling

Observe the following guidelines when recycling an instrument or component:

Equipment Recycling. Production of this equipment required the extraction and use of natural resources. The equipment may contain substances that could be harmful to the environment or human health if improperly handled at the product's end of life. In order to avoid release of such substances into the environment and to reduce the use of natural resources, we encourage you to recycle this product in an appropriate system that will ensure that most of the materials are reused or recycled appropriately.



This symbol indicates that this product complies with the European Union's requirements according to Directive 2002/96/EC on waste electrical and electronic equipment (WEEE). For information about recycling options, check the Support/Service section of the Tektronix Web site (www.tektronix.com).

Mercury Notification. This product uses an LCD backlight lamp that contains mercury. Disposal may be regulated due to environmental considerations. Please contact your local authorities or, within the United States, the Electronics Industries Alliance (www.eiae.org) for disposal or recycling information.

Perchlorate Materials. This product contains one or more type CR lithium coin cell batteries. According to the state of California, CR lithium coin cells are classified as perchlorate materials and require special handling. See www.dtsc.ca.gov/hazardouswaste/perchlorate for additional information.

Restriction of Hazardous Substances

This product has been classified as Monitoring and Control equipment, and is outside the scope of the 2002/95/EC RoHS Directive.

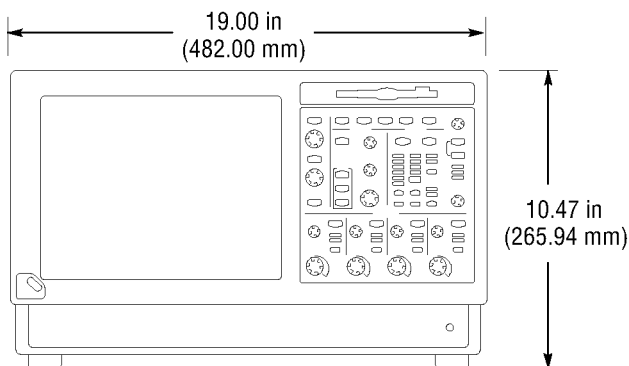
Getting Started

Use the following information to replace or clarify information contained in your instrument documentation.

Operating Requirements

Place the instrument on a cart or bench, observing clearance requirements:

- Top, Rear, Front, and Right Side: 0 in (0 mm)
- Left Side: 3 in (76 mm)
- Bottom: 0.75 in (19 mm) minimum or 0 in (0 mm) standing on feet, flip stand down



CAUTION. To ensure proper cooling, keep the bottom and sides of the instrument clear of obstructions.

Environmental Requirements

Characteristic	Description
Humidity, operating	20% to 80% relative humidity with a maximum wet bulb temperature of +29 °C (+84.2 °F) at or below +45 °C (+113 °F) noncondensing. Upper limit derated to 30% relative humidity at +45 °C (+113 °F)
Altitude, operating	9,842 ft. (3,000 m)
Temperature, ambient operating	+41 °F to +113 °F (+5 °C to +45 °C)

Powering On the Instrument

Power Supply Requirements

Source voltage and frequency

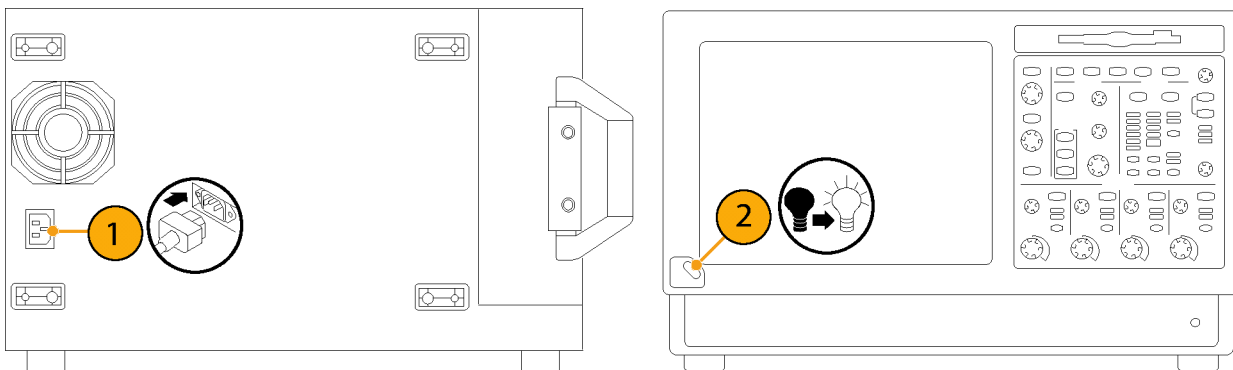
100 -240 $V_{RMS} \pm 10\%$, 47-63 Hz, or
115 $V_{RMS} \pm 10\%$, 360-440 Hz

Power consumption

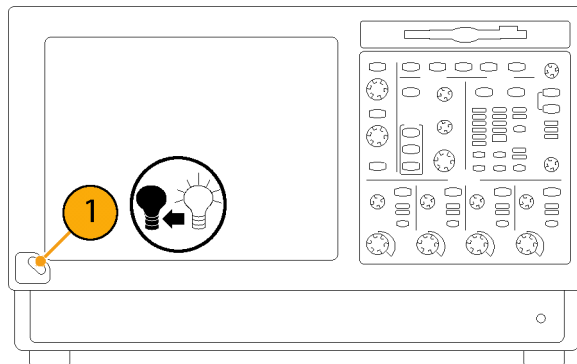
< 220 watts



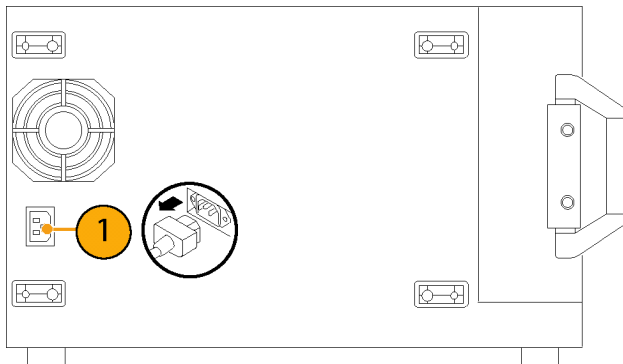
WARNING. To avoid fire or shock hazard, observe all ratings and markings on the product. Consult the product manual for further ratings information before making connections to the product.



Powering Off the Instrument



Removing the Power



Using Your Instrument

Documentation for you instrument is found by selecting **Help > Documentation...**

Before using your instrument, read the following information in the user manual:

- Safety Summery
- Creating an Emergency Startup Disk
- Getting Acquainted with Your Instrument

Standard Accessories

The standard accessories list has been upgraded to include the following discs:

TDS5000B Series Operating System Restore disc (SN B030000 and above)
063-3985-xx.

TDS5000B Series Operating System Restore disc (SN B020000 to SN
B029999) 063-3759-xx

TDS5000B Series Operating System Restore disc (SN B010100 to SN
B019999) 063-3693-xx

Options

The TDS5054 and TDS5104 have been upgraded to include the following options:

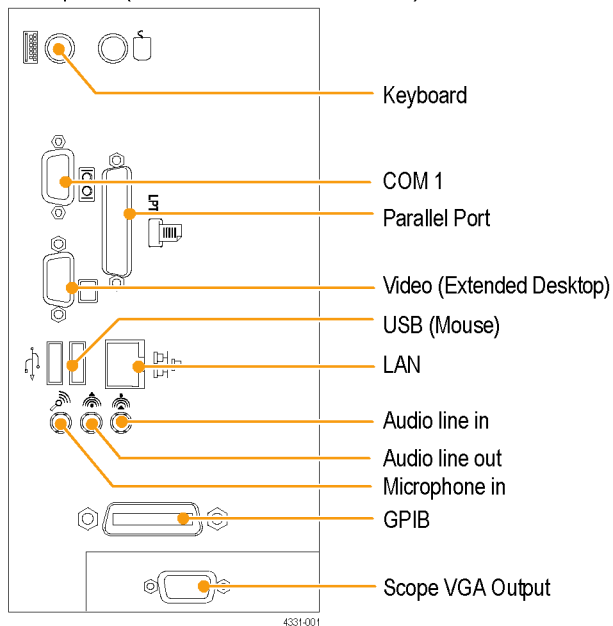
Option 18, Touch Screen

Option 3M, 16 M points record length

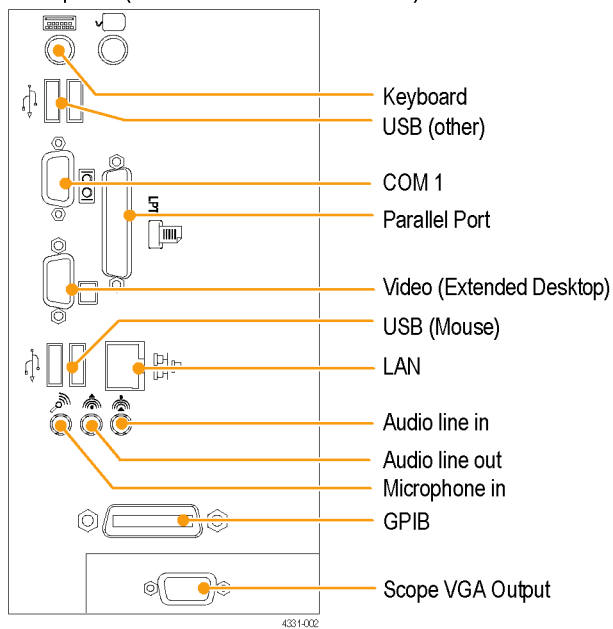
Side and Rear Panels

The following side-panel illustrations have been upgraded to include the latest component locations:

Side panel (SN B010100 to SN B019999)



Side panel (SN B020000 to SN B029999)



Side panel (SN B030000 to SN B039999)

